

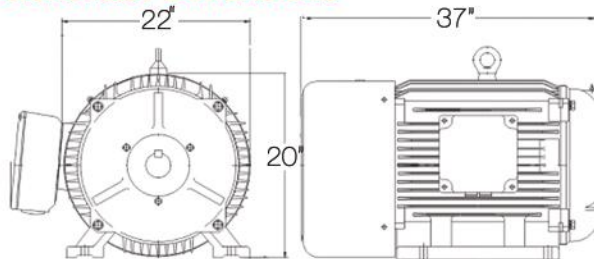


100 HP Rotary Phase Converter Precision Balanced Voltage Single to Three Phase Converter

General Specifications

Horsepower:	100 hp
Kilo-watt (kw):	75
Frequency (Hz):	50/60
Generator Enclosure:	TEFC
Generator Frame:	405T

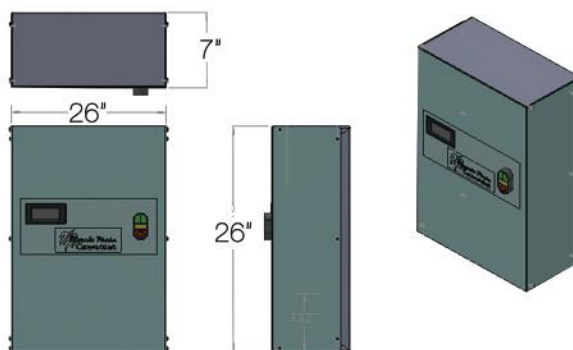
Generator Dimensions



Single Phase Electrical Specs

Voltage Input:	230-460
Min. Fuse Size:	150-75
Min. Circuit Breaker:	150-75
Max. Fuse Size:	400-200
Max Circuit Breaker:	400-200
Minimum Size Transformer:	167 KVA
Minimum Wire Size	300 MCM-2/0

Panel Dimensions



Three Phase Electrical Specs

Voltage Output:	230-460
Output Amperage:	227-138
Voltage Balance:	2-5%
Min Wire to Generator:	2/0 - 2 AWG
Min Wire to Load:	based on load
Max Resistive Amps:	135 - 67.5

Dimensions and weights

Generator	1100 lbs
Generator Dimensions	37x21.7x20.8
Panel Weight:	80 lbs
Panel Dimensions (LxWxD) inches:	26x26x7
Panel Color:	Blue-Gray

Options;

- Push Button Start
- Nema 3R Panel
- Voltmeter Display
- Digitally Protected

Standard;

- CNC Precision Balanced Voltage
- Totally Enclosed Fan Cooled Generator
- Cast Iron
- Custom Panel Enclosure
- Intergrated Soft Starting
- VPI Windings and inverter Rated.
- Sealed Ball Bearings
- 10 Year Warranty
- 24/7 Customer Support

Sales and Support
800-417-6568