

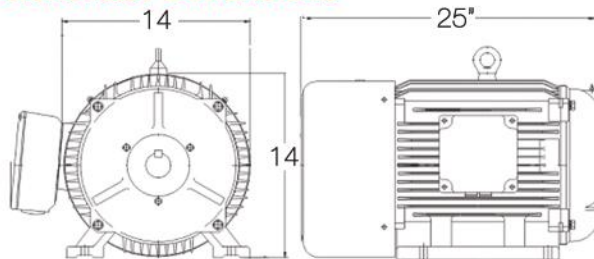


20 HP Rotary Phase Converter Precision Balanced Voltage Single to Three Phase Converter

General Specifications

Horsepower:	20 hp
Kilo-watt (kw):	14.9
Frequency (Hz):	50/60
Generator Enclosure:	TEFC
Generator Frame:	256T

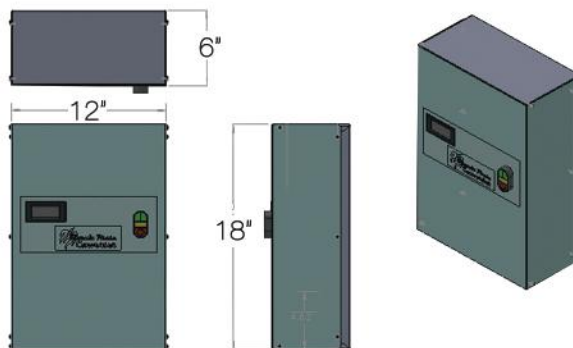
Generator Dimensions



Single Phase Electrical Specs

Voltage Input:	230 - 460
Min. Fuse Size:	40 - 20
Min. Circuit Breaker:	40 - 20
Max. Fuse Size:	100 - 50
Max Circuit Breaker:	100 - 50
Minimum Size Transformer:	25 KVA
Minimum Wire Size	4 - 8 AWG

Panel Dimensions



Three Phase Electrical Specs

Voltage Output:	230 - 460
Output Amperage:	54 - 27
Voltage Balance:	2-5%
Minimum Wire to Generator:	6 - 8 AWG
Minimum Wire to Load:	based on load
Max Resistive Amps:	28 - 14

Dimensions and weights

Generator	370 lbs
Generator Dimensions	25.2x14.1x14
Panel Weight:	30 lbs
Panel Dimensions (LxWxD) inches:	18x12x6.05
Panel Color:	ANS191 Grey

Options;

- Push Button Start
- Nema 3R Panel
- Voltmeter Display
- Digitally Protected

Standard;

- CNC Precision Balanced Voltage
- Totally Enclosed Fan Cooled Generator
- Cast Iron
- Custom Panel Enclosure
- Intergrated Soft Starting
- VPI Windings and inverter Rated.
- Sealed Ball Bearings
- 10 Year Warranty
- 24/7 Customer Support

Sales and Support
800-417-6568