

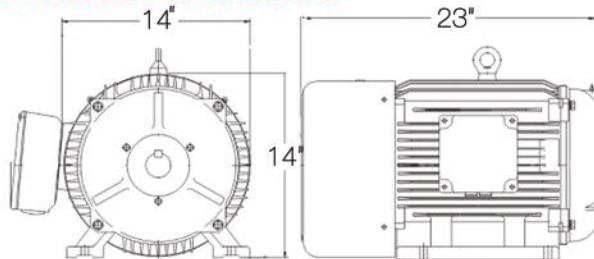


### 25 HP Rotary Phase Converter Precision Balanced Voltage Single to Three Phase Converter

#### General Specifications

Horsepower:	25 hp
Kilo-watt (kw):	18.6
Frequency (Hz):	50/60
Generator Enclosure:	TEFC
Generator Frame:	284T

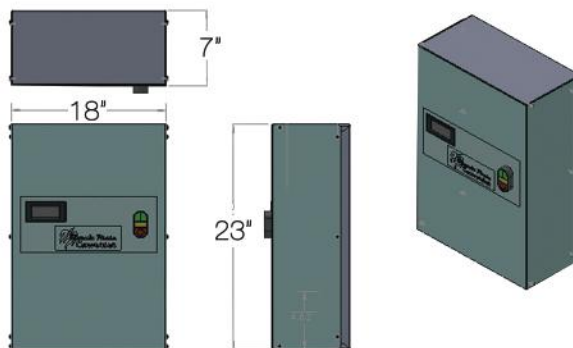
#### Generator Dimensions



#### Single Phase Electrical Specs

Voltage Input:	230 - 460
Min. Fuse Size:	40 - 20
Min. Circuit Breaker:	40 - 20
Max. Fuse Size:	125 - 60
Max Circuit Breaker:	125 - 60
Minimum Size Transformer:	37.5
Minimum Wire Size	2 - 4 AWG

#### Panel Dimensions



#### Three Phase Electrical Specs

Voltage Output:	230 - 460
Output Amperage:	65 - 32.5
Voltage Balance:	2-5%
Minimum Wire to Generator:	4 - 6 AWG
Minimum Wire to Load:	based on load
Max Resistive Amps:	35 - 17.5

#### Dimensions and weights

Generator	420 lbs
Generator Dimensions	26x15.5x14.7
Panel Weight:	43 lbs
Panel Dimensions (LxWxD) inches:	23x18x7
Panel Color:	Blue-Gray

#### Options;

- Push Button Start
- Nema 3R Panel
- Voltmeter Display
- Digitally Protected

#### Standard;

- CNC Precision Balanced Voltage
- Totally Enclosed Fan Cooled Generator
- Cast Iron
- Custom Panel Enclosure
- Intergrated Soft Starting
- VPI Windings and inverter Rated.
- Sealed Ball Bearings
- 10 Year Warranty
- 24/7 Customer Support

Sales and Support  
800-417-6568