

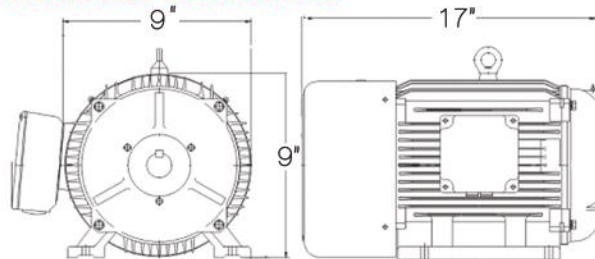


### 5 HP Rotary Phase Converter Precision Balanced Voltage Single to Three Phase Converter

#### General Specifications

Horsepower:	5 hp
Kilo-watt (kw):	3.3
Frequency (Hz):	50/60
Generator Enclosure:	TEFC
Generator Frame:	184T

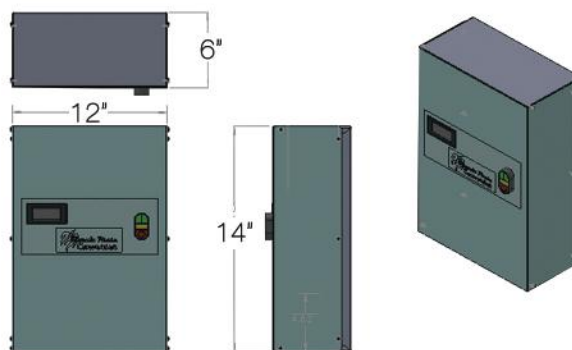
#### Generator Dimensions



#### Single Phase Electrical Specs

Voltage Input:	230- 460
Min. Fuse Size:	15 - 10
Min. Circuit Breaker:	15 - 10
Max. Fuse Size:	30 - 15
Max Circuit Breaker:	30 - 15
Minimum Size Transformer:	7.5 KVA
Minimum Wire Size	10 AWG

#### Panel Dimensions



#### Three Phase Electrical Specs

Voltage Output:	230 - 460
Output Amperage:	14 - 7
Voltage Balance:	2-5%
Minium Wire to Generator:	12 - 12 AWG
Minimum Wire to Load:	based on load
Max Resistive Amps:	7 - 3.5

#### Dimensions and weights

Generator	89 lbs
Generator Dimensions	17x9.7x9.3
Panel Weight:	12 lbs
Panel Dimensions (LxWxD) inches:	14x12x6.05
Panel Color:	Blue-Gray

#### Options;

- Push Button Start
- Nema 3R Panel
- Voltmeter Display
- Digitally Protected

#### Standard;

- CNC Precision Balanced Voltage
- Totally Enclosed Fan Cooled Generator
- Cast Iron
- Custom Panel Enclosure
- Intergrated Soft Starting
- VPI Windings and inverter Rated.
- Sealed Ball Bearings
- 10 Year Warranty
- 24/7 Customer Support

Sales and Support  
800-417-6568