

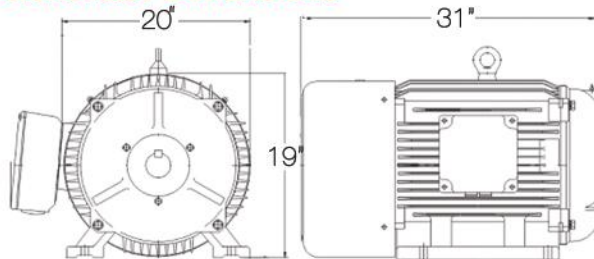


60 HP Rotary Phase Converter Precision Balanced Voltage Single to Three Phase Converter

General Specifications

Horsepower:	60 hp
Kilo-watt (kw):	44.7
Frequency (Hz):	50/60
Generator Enclosure:	TEFC
Generator Frame:	364T

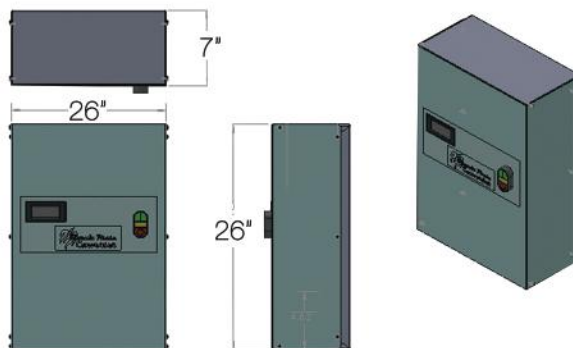
Generator Dimensions



Single Phase Electrical Specs

Voltage Input:	230 - 460
Min. Fuse Size:	100 - 50
Min. Circuit Breaker:	100 - 50
Max. Fuse Size:	300 - 150
Max Circuit Breaker:	300 - 150
Minimum Size Transformer:	75 KVA
Minimum Wire Size	2/0 - 2 AWG

Panel Dimensions



Three Phase Electrical Specs

Voltage Output:	230 - 460
Output Amperage:	160 - 80
Voltage Balance:	2-5%
Minium Wire to Generator:	2 - 4 AWG
Minimum Wire to Load:	based on load
Max Resistive Amps:	84 - 42

Dimensions and weights

Generator	780 lbs
Generator Dimensions	31x20x19
Panel Weight:	80 lbs
Panel Dimensions (LxWxD) inches:	26x26x7
Panel Color:	Blue-Gray

Options;

- Push Button Start
- Nema 3R Panel
- Voltmeter Display
- Digitally Protected

Standard;

- CNC Precision Balanced Voltage
- Totally Enclosed Fan Cooled Generator
- Cast Iron
- Custom Panel Enclosure
- Intergrated Soft Starting
- VPI Windings and inverter Rated.
- Sealed Ball Bearings
- 10 Year Warranty
- 24/7 Customer Support

Sales and Support
800-417-6568