

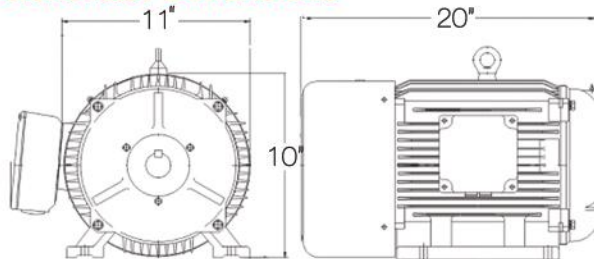


7.5 HP Rotary Phase Converter Precision Balanced Voltage Single to Three Phase Converter

General Specifications

| | |
|----------------------|--------|
| Horsepower: | 7.5 hp |
| Kilo-watt (kw): | 5.6 |
| Frequency (Hz): | 50/60 |
| Generator Enclosure: | TEFC |
| Generator Frame: | 213T |

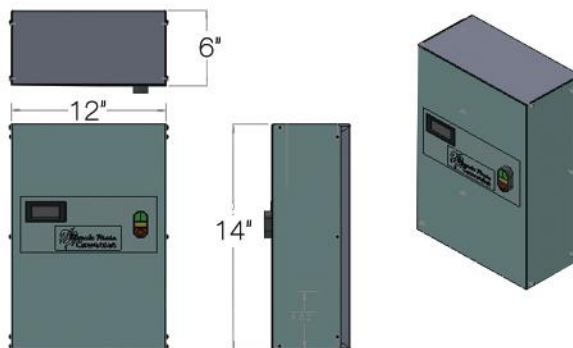
Generator Dimensions



Single Phase Electrical Specs

| | |
|---------------------------|-----------|
| Voltage Input: | 230 - 460 |
| Min. Fuse Size: | 20 - 10 |
| Min. Circuit Breaker: | 20 - 10 |
| Max. Fuse Size: | 40 - 20 |
| Max Circuit Breaker: | 40 - 20 |
| Minimum Size Transformer: | 10 KVA |
| Minimum Wire Size | 8 - 8 AWG |

Panel Dimensions



Three Phase Electrical Specs

| | |
|----------------------------|---------------|
| Voltage Output: | 230 - 460 |
| Output Amperage: | 21 - 10.5 |
| Voltage Balance: | 2-5% |
| Minimum Wire to Generator: | 12 - 12 AWG |
| Minimum Wire to Load: | based on load |
| Max Resistive Amps: | 10 - 5 |

Dimensions and weights

| | |
|----------------------------------|--------------|
| Generator | 154 lbs |
| Generator Dimensions | 20x11.5x10.6 |
| Panel Weight: | 18 lbs |
| Panel Dimensions (LxWxD) inches: | 14x12x6 |
| Panel Color: | Blue-Gray |

Options;

- Push Button Start
- Nema 3R Panel
- Voltmeter Display
- Digitally Protected

Standard;

- CNC Precision Balanced Voltage
- Totally Enclosed Fan Cooled Generator
- Cast Iron
- Custom Panel Enclosure
- Intergrated Soft Starting
- VPI Windings and inverter Rated.
- Sealed Ball Bearings
- 10 Year Warranty
- 24/7 Customer Support

Sales and Support
800-417-6568